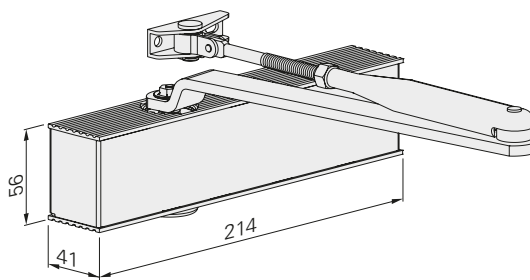
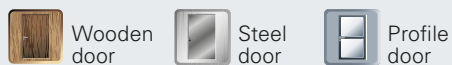


Performance criteria

Closing force	size according to EN standards	2/3/4
Door width	≤ 1100 mm	■
Dimensions	Length in mm	214
	Depth in mm	41
	Height in mm	56
Mounting plate		□
Hinge / hinge-opposite side		■
DIN L / R		■
Latching speed (adjustable at the side)		■
Closing speed (adjustable at the side)		■
Tested to EN standards		EN 1154
Suitable for fire and smoke control doors		F
Certified according to EU regulations		CE

- Yes
- No
- Optional



Dimensions: ECO TS-14 EN

ECO Newton TS-14 EN ■ Highlights at a glance



Details for ECO Newton highlights can be found at the beginning of this section.



Body: Silver RAL 9006



Body: White RAL 9016



Body: Black RAL 9005



Different closing forces can be set by movement on the door leaf.

Standard arms and levers are always delivered in the same colour as the body.

Order information

ECO **Newton TS-14 EN** ■ Standard arm closers

Product information

- Closing force 2 / 3 / 4 (with mounting plate 3/4) according to EN standards (for door widths up to 1100 mm)
Adjustable by moving the door closer
- Latching speed and closing speed continuously adjustable at the side
- Same model for DIN L/R
- Depth only 41 mm
- Max. door opening angle: 180°
- Mounting type hinge side – normal mounting (mounted on door leaf)
- Push side installation – overhead installation (mounted on transom)

Article numbers

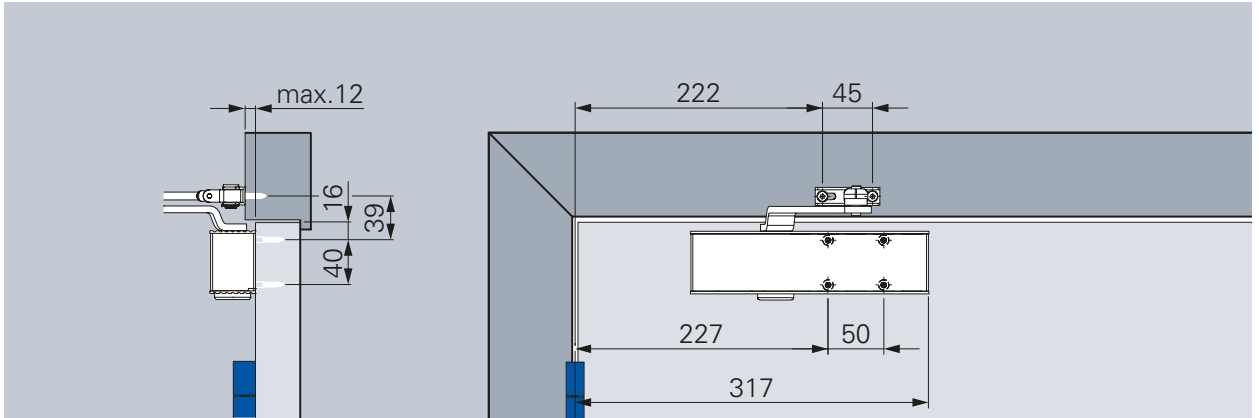
ECO **TS-14 EN (2/3/4)**



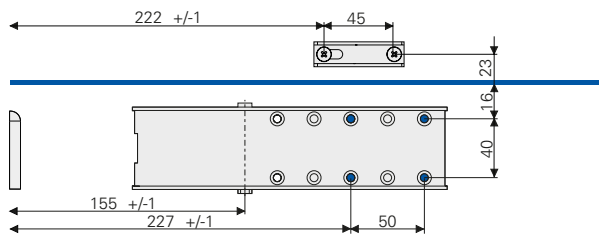
Door closer with standard arm	Colour		Art. no.	Mounting plate for TS-14 EN	Colour		Art. no.
ECOTS-14 EN (2/3/4)	Silver	RAL 9006	5030039305	MPL-14 EN (3/4)	Silver	RAL 9006	5030040766
ECOTS-14 EN (2/3/4)	White	RAL 9016	5030039306	MPL-14 EN (3/4)	White	RAL 9016	5030044130
ECOTS-14 EN (2/3/4)	Black	RAL 9005	5030039307	MPL-14 EN (3/4)	Black	RAL 9005	5030040769

Hinge side

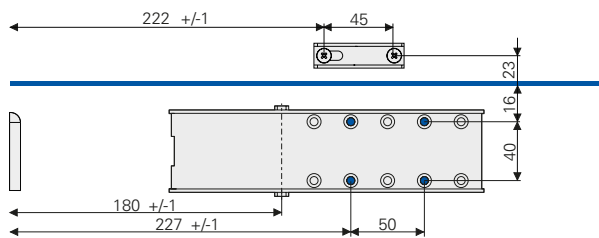
Figure DIN L door, DIN R mirrored



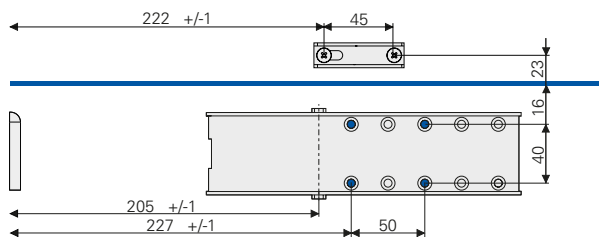
Standard installation, hinge side (EN 3, direct installation, without mounting plate)



Closing force size EN 2



Closing force size EN 3



Closing force size EN 4

Closing force diagram ECO Newton TS-14 EN, hinge side



Closing speed

Continuously adjustable closing speed from 180°-0°.

Latching speed

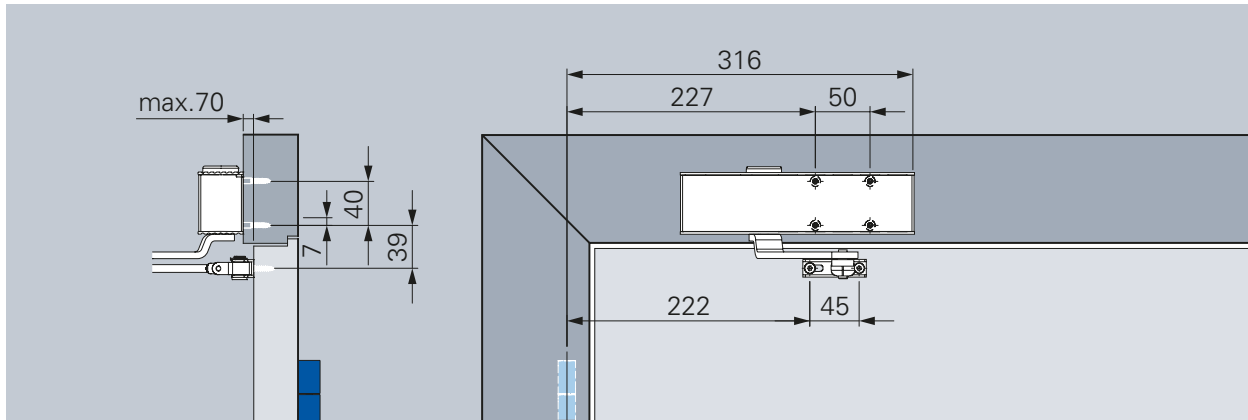
Increases the closing speed and thus the closing force for safe closing of the door, e.g. to overcome door seals, latches and air pressure. Continuously adjustable, active from 10° - 0°.

Closing force sizes

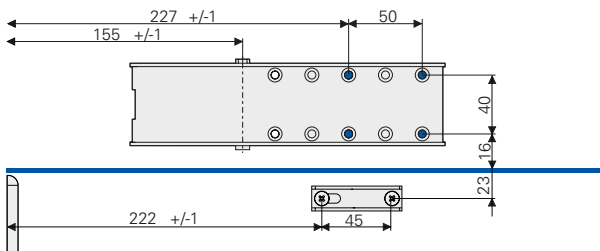
Different closing force sizes can be set by moving the door closer on the door leaf.

Opposite hinge side

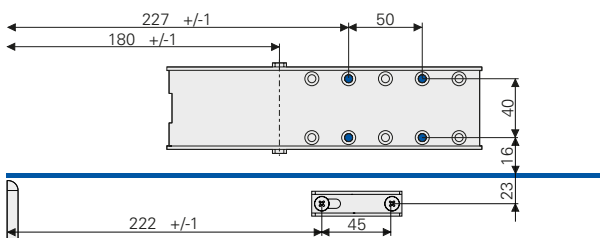
Figure DIN R door, DIN L mirrored



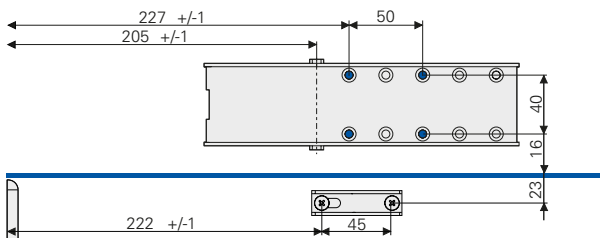
Frame installation, opposite hinge side (EN 3, direct installation, without mounting plate)



Closing force size EN 2



Closing force size EN 3



Closing force size EN 4

Closing force sizes

Different closing forces can be set by moving the door closer on the door frame.

Closing force diagram ECO Newton TS-14 EN, opposite hinge side



Closing speed
continuously adjustable closing speed from 170°* – 0°.

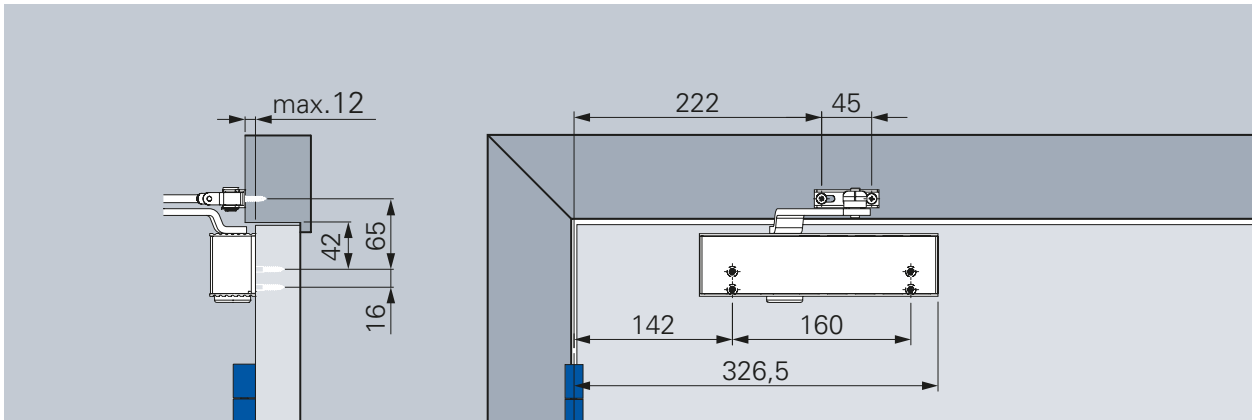
Latching speed
Increases the closing speed and thus the closing force for safe closing of the door, e.g. to overcome door seals, latches and air pressure. Continuously adjustable, active from 10° – 0°

*Varies according to door thickness and hinge type.

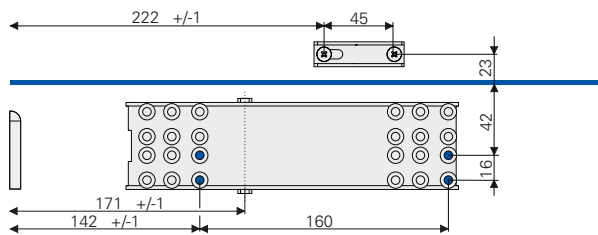
Opening range must be limited by a door stop!

Hinge side

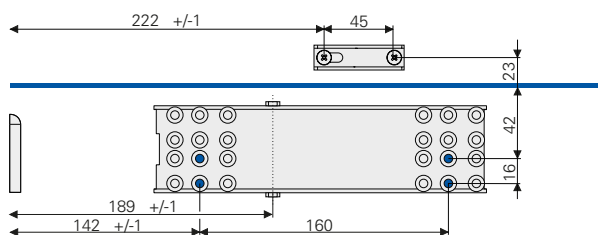
Figure DIN L door, DIN R mirrored



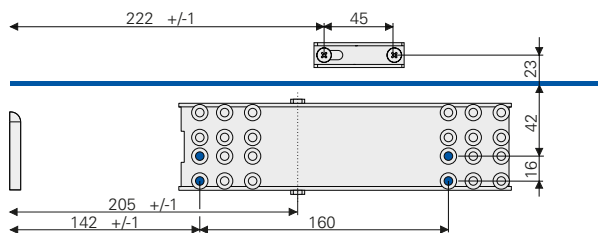
Standard installation, hinge side (with mounting plate, DIN hole pattern)



Closing force size EN 2



Closing force size EN 3



Closing force size EN 4

Closing force diagram ECO Newton TS-14 EN, hinge side



Closing speed

Continuously adjustable closing speed from 180°-0°.

Latching speed

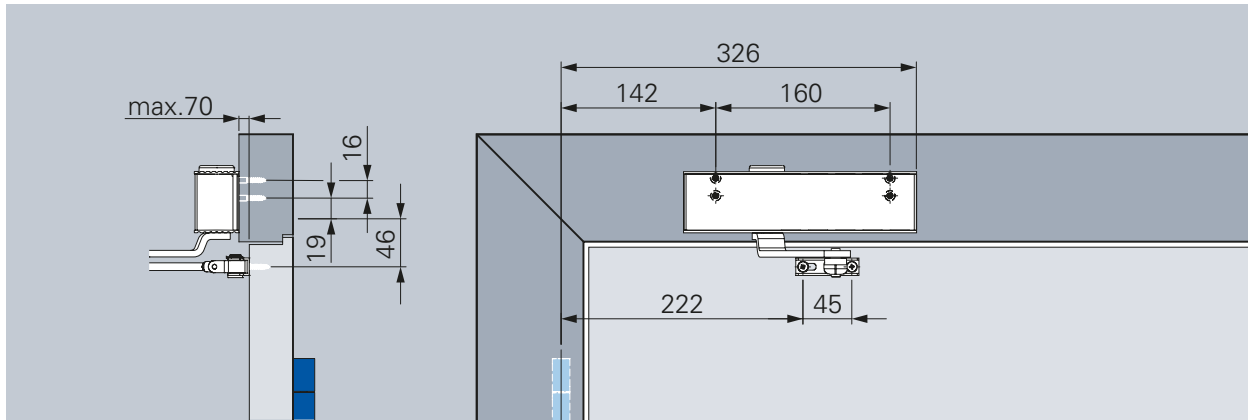
Increases the closing speed and thus the closing force for safe closing of the door, e.g. to overcome door seals, latches and air pressure. Continuously adjustable, active from 10° - 0°.

Closing force sizes

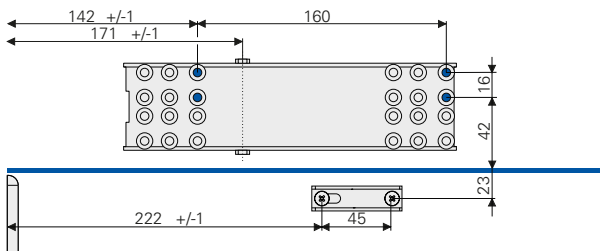
Different closing force sizes can be set by moving the mounting plate on door leaf.

Opposite hinge side

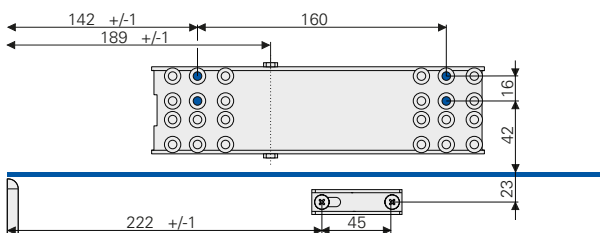
Figure DIN R door, DIN L mirrored



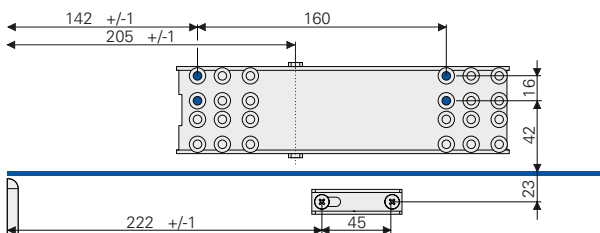
Frame installation, opposite hinge side (with mounting plate, DIN hole pattern)



Closing force size EN 2



Closing force size EN 3



Closing force size EN 4

Closing force sizes

Different closing force sizes can be set by moving the mounting plate on the frame.

Closing force diagram ECO Newton TS-14 EN, opposite hinge side



Closing speed
continuously adjustable closing speed from 170°* – 0°.

Latching speed
Increases the closing speed and thus the closing force for safe closing of the door, e.g. to overcome door seals, latches and air pressure. Continuously adjustable, active from 10° – 0°.

*Varies according to door thickness and hinge type.

Opening range must be limited by a door stop!

ECO Schulte GmbH & Co. KG

Iserlohner Landstraße 89

D-58706 Menden

Telephone +49 2373 9276 - 0

Telefax +49 2373 9276 - 40

info@eco-schulte.de

www.eco-schulte.de

Our compendium represents a compilation of all products from our range of services. These are subject to different delivery classes. Special variants included are often manufactured to customer specifications and sometimes require longer delivery times and minimum purchase quantities. Further advise can be given by your contact person.

■ SYSTEM TECHNOLOGY FOR THE DOOR

