

**Performance criteria**

Closing force (gradually adjustable)	size according to EN standards	2/3/5
Door width mm	according to EN	≤ 1,250 ■
Dimensions (incl. mounting plate)	Length in mm	243
	Depth in mm	41
	Height in mm	56
Mounting plate in accordance with EN 1154 (supplementary sheet 1)		□
Hinge / hinge-opposite side		■
DIN L / R		■
Back check (constant)		■
Latching speed (continuously adjustable)		■
Closing speed (continuously adjustable)		■
Delayed action (continuously adjustable)		-
Tested to EN standards		<b>EN 1154</b>
Suitable for fire and smoke control doors		<b>F</b>
Certified according to EU regulations		<b>CE</b>

- Yes
- No
- Optional



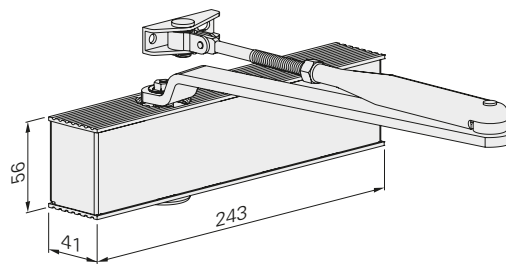
Wooden door



Steel door



Profile door



Dimensions: ECOTS-20

**ECO Newton TS-20 ■ Highlights at a glance**



\*optional

Details for ECO Newton highlights can be found at the beginning of this section.



Body: Silver RAL 9006  
ECOcllic: Stainless steel satin finish



Body + ECOcllic: White RAL 9016



Body + ECOcllic: Black RAL 9005

Slide rails and lever arms are always delivered in the same colour as the body.

# Order information

## ECO **Newton** TS-20 ■ Standard arm closers

### Product information

Closing force size 2 / 3 / 5, tested acc. to **EN 1154** (for door widths up to 1,250 mm). Adjustable by moving the door closer. Latching speed and closing speed freely adjustable at the side. Constant back-check. Same model for DIN L/R. Depth only 41 mm. Weight: 1,320 g. Max. door opening angle: 180°

- **ECOunity:** The ECO **Newton** door closer portfolio covers all door dimensions with only two basic bodies.
- **ECOcllic:** Stainless steel cover encloses the aluminium body with the strength of spring steel, thus concealing all setting parameters safely against unauthorised access
- **ECOvalve:** Simple, high-precision and permanently secure adjustment of all parameters of the closing process using a standard Allen key
- **ECOcover<sup>2</sup>:** Optional stainless steel cover for the ECO **Newton** door closer.
- **ECOgreen:** Intelligent design and carefully planned use of materials significantly help save resources

Pull side: Standard installation on the door leaf. Push side: Frame installation on the door frame.

#### **New overall packaging:**

ECO TS-20: Complete set incl. door closer body, arm, incl. mounting plate, mounting instructions, paper template and fixing accessories.

### Article numbers

#### ECO **TS-20** EN 3/5

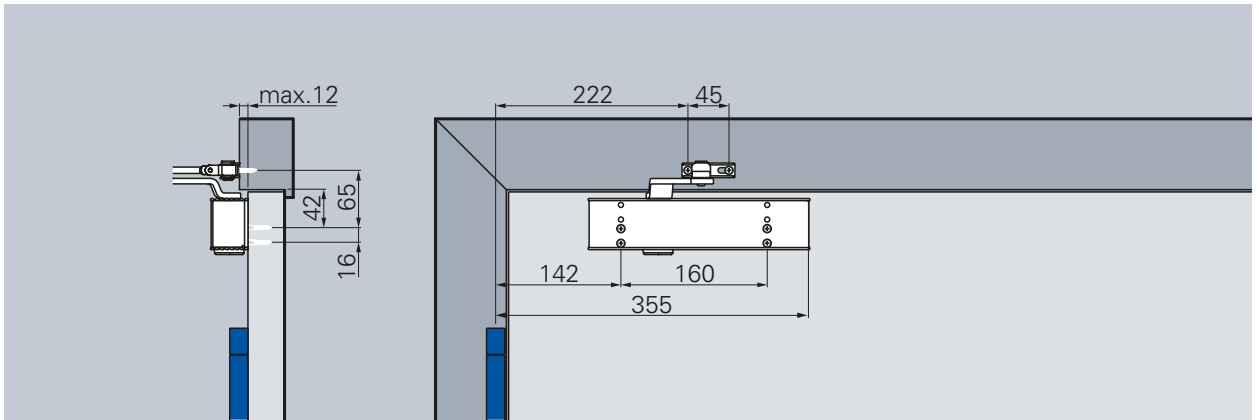


Door closer with standard arm incl. Mounting plate	Colour	Art. no.
ECO TS-20 EN 3/5	Silver RAL 9006*	5030011225
ECO TS-20 EN 3/5	White RAL 9016	5030011235
ECO TS-20 EN 3/5	Black RAL 9005	5030041414

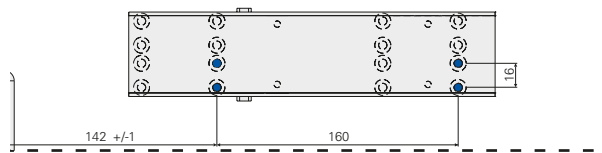
\*Door closer body in silver RAL 9006, ECOcllic in matt stainless steel, optionally polished

# Hinge side

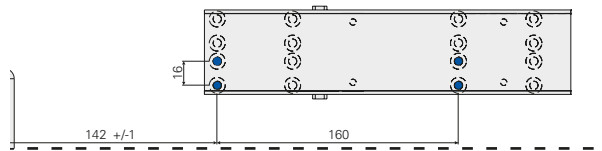
Figure DIN L door, DIN R mirrored



Standard installation, hinge side (with mounting plate, DIN hole pattern)

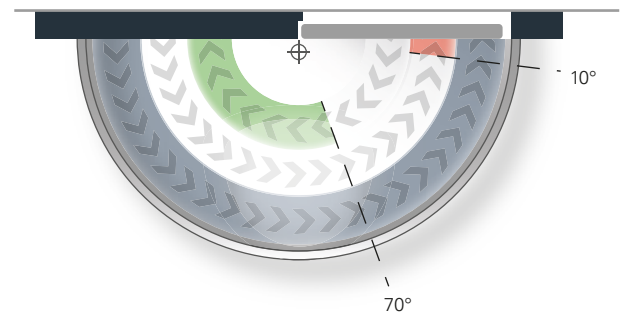


Closing force size EN 3



Closing force size EN 5

Closing force diagram ECO Newton TS-20, hinge side



**Closing speed**

Continuously adjustable closing speed from 180°–0°.

**Latching speed**

Increases the closing speed and thus the closing force for safe closing of the door, e.g. to overcome door seals, latches and air pressure. Continuously adjustable, active from 10° – 0°.

**Back-check (constant)**

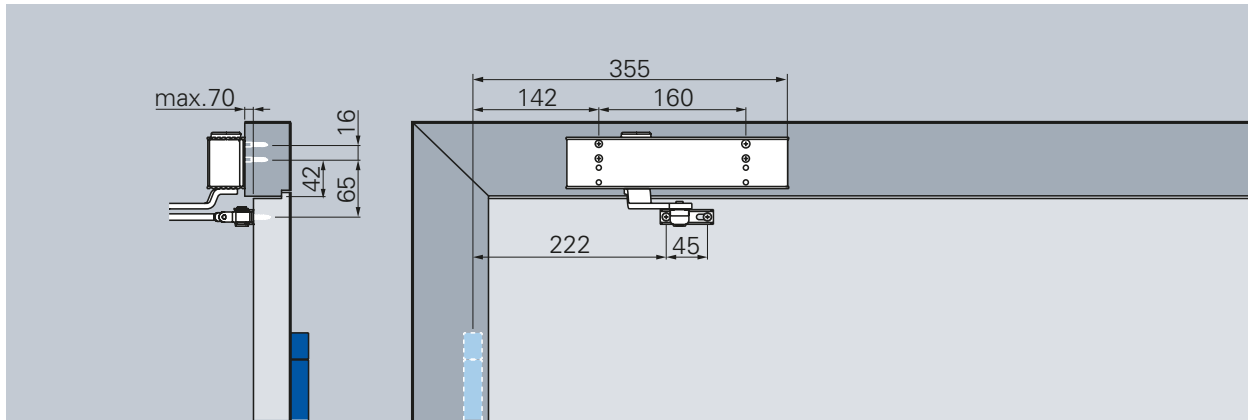
Reduces the opening speed from 70° and thus prevents the door from slamming. Constant back-check.

**Closing force sizes**

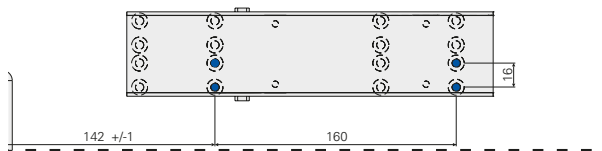
Closing force sizes 3 or 5 are achieved by repositioning the door closer on the mounting plate. No additional drilling is required.

# Opposite hinge side

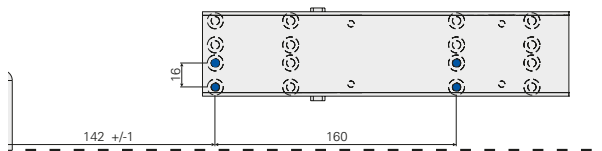
Figure DIN R door, DIN L mirrored



Frame installation, opposite hinge side (with mounting plate, DIN hole pattern)

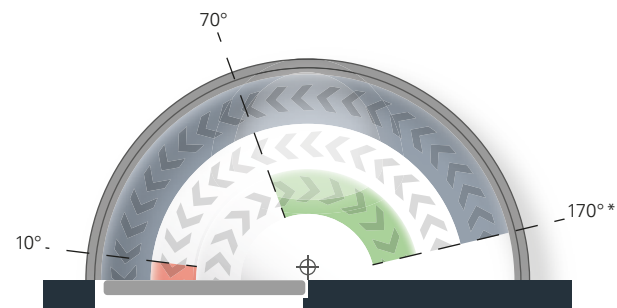


Closing force size EN 3



Closing force size EN 5

Closing force diagram ECO Newton TS-20, opposite hinge side



- Closing speed**  
continuously adjustable closing speed from 170°\* – 0°.
- Latching speed**  
Increases the closing speed and thus the closing force for safe closing of the door, e.g. to overcome door seals, latches and air pressure. Continuously adjustable, active from 10° – 0°.
- Back-check (constant)**  
Reduces the opening speed from 70° and thus prevents the door from slamming. Constant back-check.

### Closing force sizes

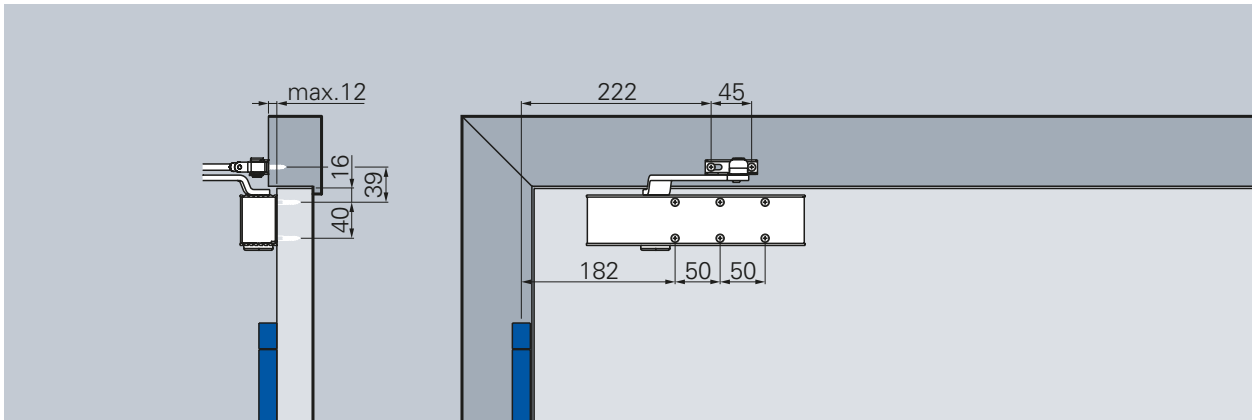
Closing force sizes 3 or 5 are achieved by repositioning the door closer on the mounting plate. No additional drilling is required.

\*Varies according to door thickness and hinge type.

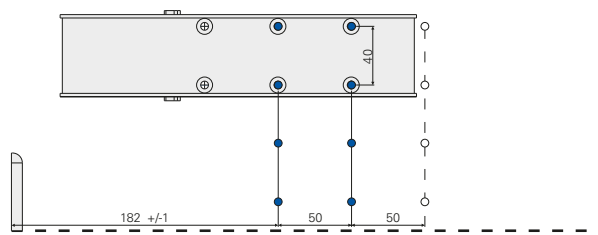
**Opening range must be limited by a door stop!**

# Hinge side

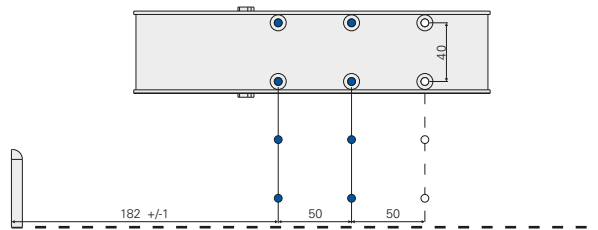
Figure DIN L door, DIN R mirrored



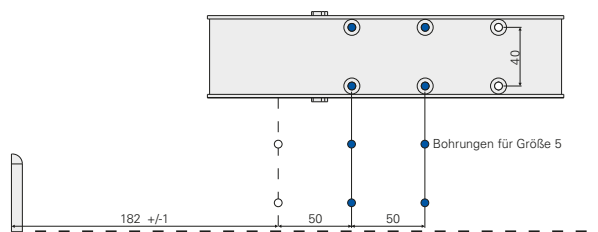
Standard installation, hinge side, (direct installation, without mounting plate)



**Closing force size EN 2**



**Closing force size EN 3**

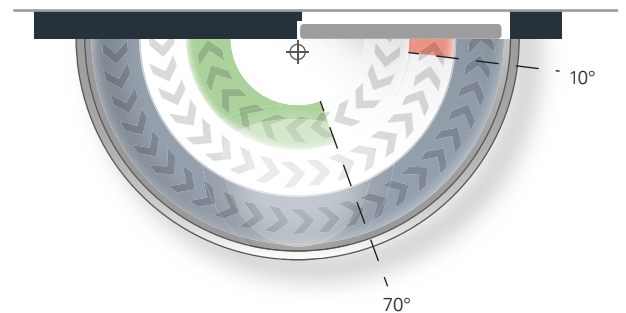


**Closing force size EN 5**

### Closing force sizes

Different closing force sizes can be set by moving the door closer on the door leaf. Additional drilling is only required for closing force EN 5.

Closing force diagram ECO **Newton TS-20**, hinge side



### Closing speed

Continuously adjustable closing speed from 180°-0°.

### Latching speed

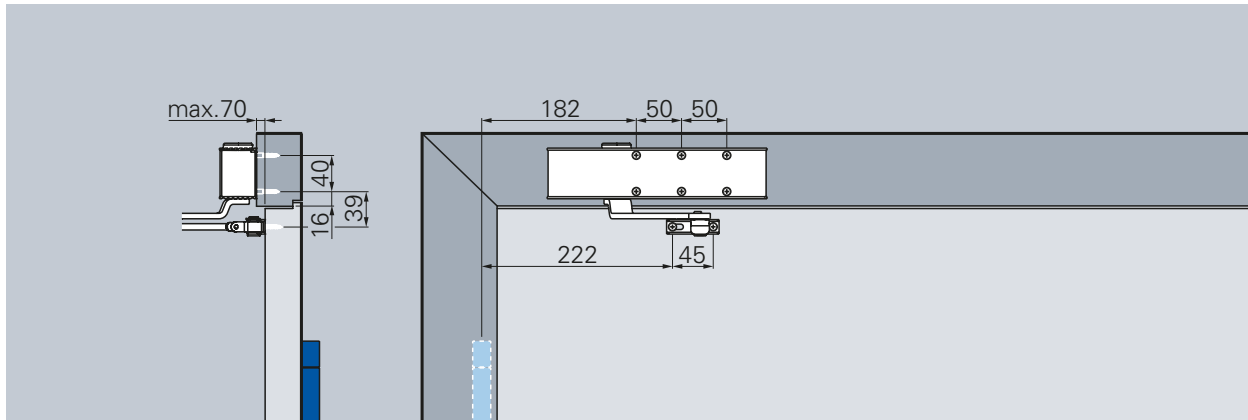
Increases the closing speed and thus the closing force for safe closing of the door, e.g. to overcome door seals, latches and air pressure. Continuously adjustable, active from 10° - 0°.

### Back-check (constant)

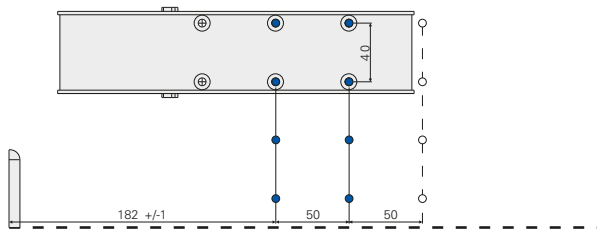
Reduces the opening speed from 70° and thus prevents the door from slamming. Constant back-check.

# Opposite hinge side

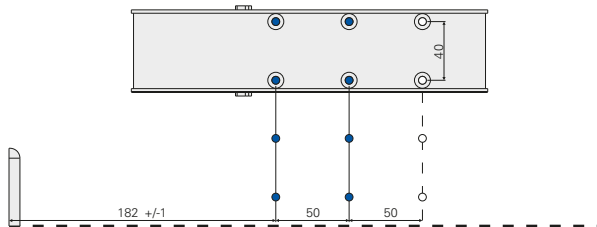
Figure DIN R door, DIN L mirrored



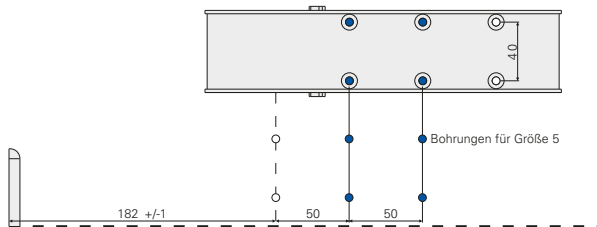
Frame installation, opposite hinge side (direct installation, without mounting plate)



Closing force size EN 2



Closing force size EN 3

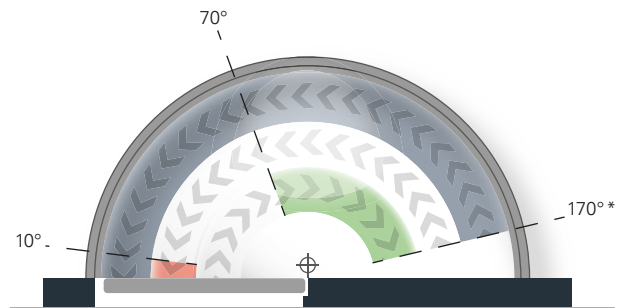


Closing force size EN 5

### Closing force sizes

Different closing force sizes can be set by moving the door closer on the door leaf. Additional drilling is only required for closing force EN 5.

Closing force diagram ECO Newton TS-20, opposite hinge side



### Closing speed

continuously adjustable closing speed from 170°\* – 0°.

### Latching speed

Increases the closing speed and thus the closing force for safe closing of the door, e.g. to overcome door seals, latches and air pressure. Continuously adjustable, active from 10° – 0°.

### Back-check (constant)

Reduces the opening speed from 70° and thus prevents the door from slamming. Constant back-check.

### Note:

**back-check not available for frame installation / opposite hinge side**

\*Varies according to door thickness and hinge type.

**Opening range must be limited by a door stop!**

**ECO Schulte GmbH & Co. KG**

Iserlohner Landstraße 89

D-58706 Menden

Telephone +49 2373 9276 - 0

Telefax +49 2373 9276 - 40

[info@eco-schulte.de](mailto:info@eco-schulte.de)

[www.eco-schulte.de](http://www.eco-schulte.de)

Our compendium represents a compilation of all products from our range of services. These are subject to different delivery classes. Special variants included are often manufactured to customer specifications and sometimes require longer delivery times and minimum purchase quantities. Further advise can be given by your contact person.

## ■ SYSTEM TECHNOLOGY FOR THE DOOR

