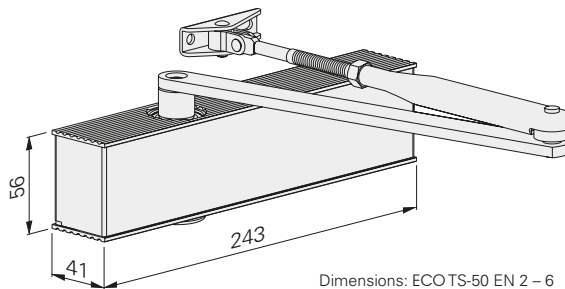
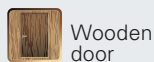


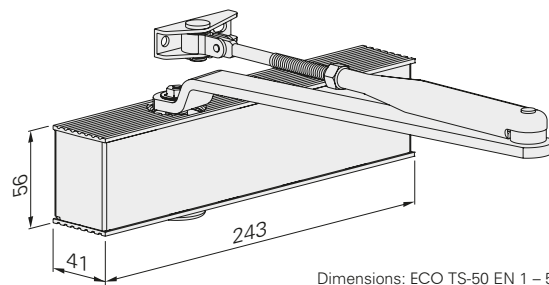
Performance criteria

Closing force (continuously adjustable)	according to EN standards	1 – 5	2 – 6
Door width 1,250 mm	according to EN	≤	■
Door width 1,400 mm (as per special installation position)	according to EN	≤	■
Dimensions	Length in mm	243	243
	Depth in mm	41	41
	Height in mm	56	56
Mounting plate in accordance with EN 1154 (supplementary sheet 1)		□	□
Hinge / hinge-opposite side		■	■
DIN L / R		■	■
Latching speed (continuously adjustable)		■	■
Closing speed (continuously adjustable)		■	■
Back check (constant)		■	■
Tested to EN standards		EN 1154	
Suitable for fire and smoke control doors		F	
Certified according to EU regulations		CE	
Construction of accessible buildings		DIN 18040	

- Yes
- No
- Optional



Dimensions: ECOTS-50 EN 2 – 6



Dimensions: ECO TS-50 EN 1 – 5

ECO Newton TS-50 ■ Highlights at a glance



*optional

Details for ECO Newton highlights can be found at the beginning of this section.



Body: Silver RAL 9006
ECOcllic: Stainless steel
satin finish



Body + ECOcllic:
White RAL 9016



Body + ECOcllic:
Black RAL 9005

Standard arms and levers are always delivered in the same colour as the body.

Order information

ECO **Newton** TS-50 ■ Standard arm closers

Product information

Closing force size 1–5 (2–6), tested acc. to **EN 1154** (for door widths up to 1,250 mm (1,400 mm)), continuously adjustable. Latching speed and closing speed freely adjustable at the side. Constant back-check. Same model for DIN L/R. Depth only 41 mm. Weight: 1,280 g. Max. door opening angle: 180°

- **ECOunity**: The ECO **Newton** door closer portfolio covers all door dimensions with only two basic bodies.
- **ECOcllic**: Stainless steel cover encloses the aluminium body with the strength of spring steel, thus concealing all setting parameters safely against unauthorised access
- **ECOvalve**: Simple, high-precision and permanently secure adjustment of all parameters of the closing process using a standard Allen key
- **ECOcover²**: Optional stainless steel cover for the ECO **Newton** door closer
- **ECOgreen**: Intelligent design and carefully planned use of materials significantly help save resources

Pull side: Standard installation on the door leaf. Push side: Frame installation on the door frame.

New overall packaging:

ECO TS-50: Complete set incl. door closer body, arm, incl. mounting plate, mounting instructions, paper template and fixing accessories.

Article numbers

ECO **TS-50** EN 1–5



Door closer with standard arm incl. Mounting plate	Colour	Art. no.
ECO TS-50 EN 1–5	Silver RAL 9006*	5030010451
ECO TS-50 EN 1–5	White RAL 9016	5030010466
ECO TS-50 EN 1–5	Black RAL 9005	5030010473

ECO **TS-50** EN 2–6

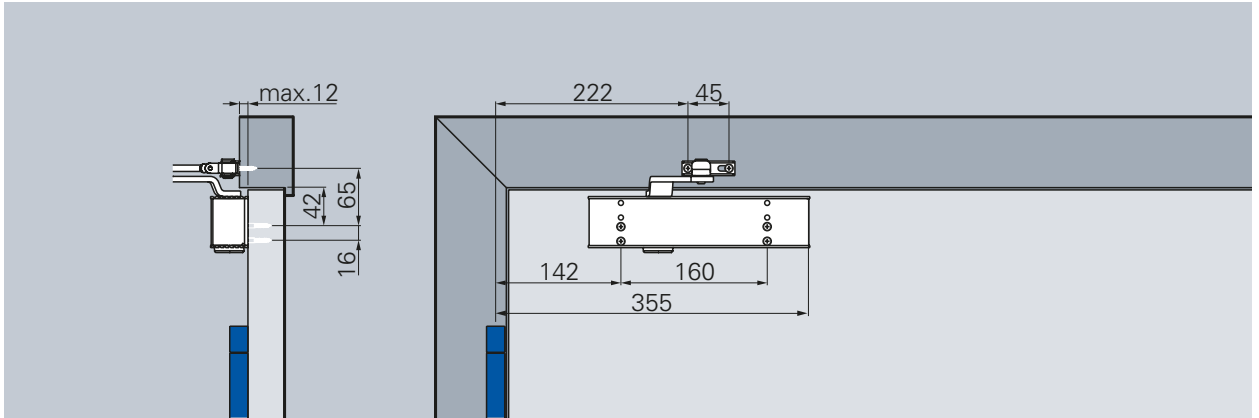


Door closer with standard arm incl. Mounting plate	Colour	Art. no.
ECO TS-50 EN 2–6	Silver RAL 9006*	5030039298
ECO TS-50 EN 2–6	White RAL 9016	5030045228
ECO TS-50 EN 2–6	Black RAL 9005	5030044348

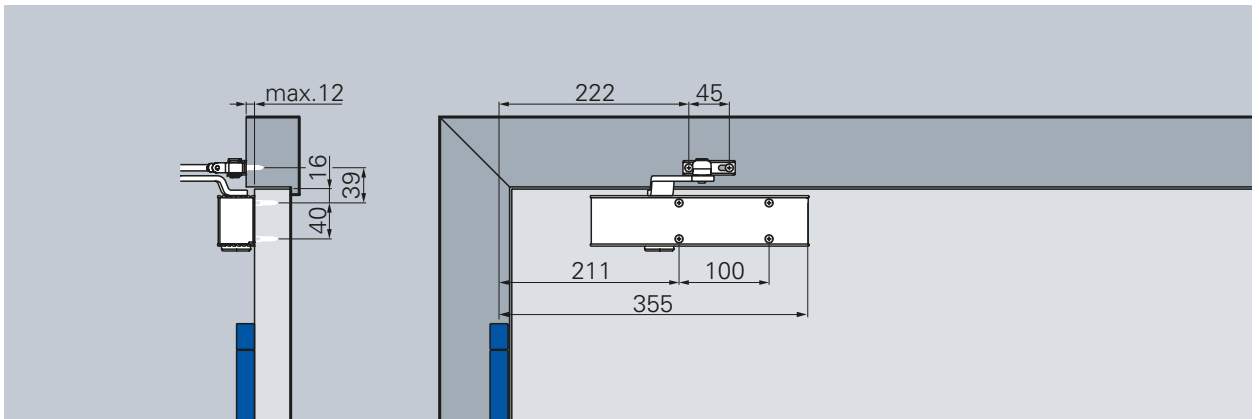
*Closer body unit in silver RAL 9006, ECOcllic in matt stainless steel, optionally polished

Hinge side

Figure DIN L door, DIN R mirrored



Standard installation, hinge side (ECO TS-50, with mounting plate, DIN hole group)



Standard installation, hinge side (ECO TS-50, direct installation, without mounting plate)

Closing speed

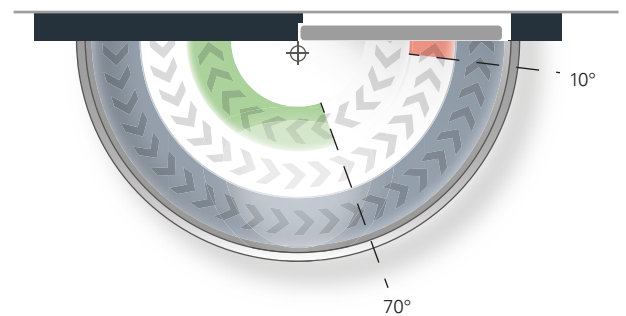
Continuously adjustable closing speed from 180°–0°.

Latching speed

Increases the closing speed and thus the closing force for safe closing of the door, e.g. to overcome door seals, latches and air pressure. Continuously adjustable, active from 10° – 0°.

Back-check (constant)

Reduces the opening speed from 70° and thus prevents the door from slamming. Constant back-check.

 Closing force diagram ECO **Newton** TS-50, hinge side


Closing force:

freely adjustable
 ECO TS-50 EN 2–6 min. Size 2
 max. Size 6

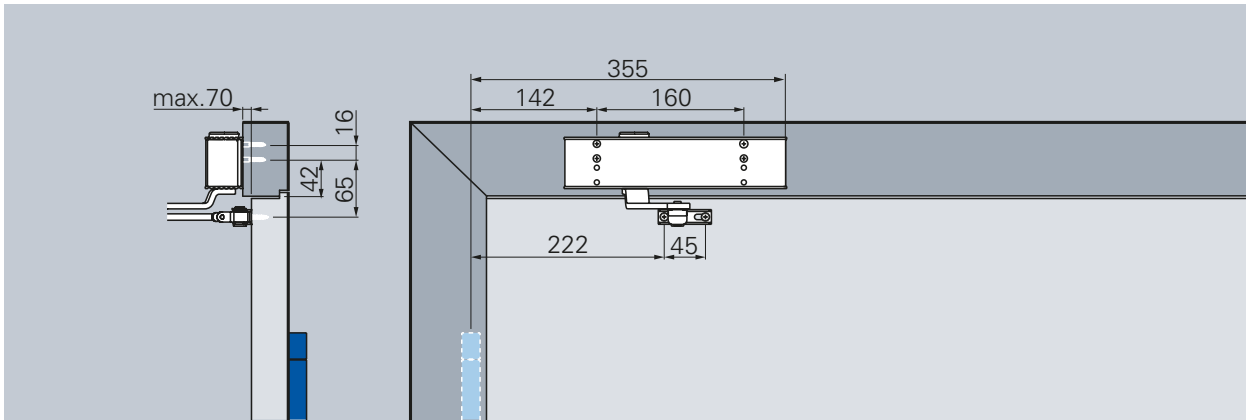
or

freely adjustable
 ECO TS-50 EN 1–5 min. Size 1
 max. Size 5

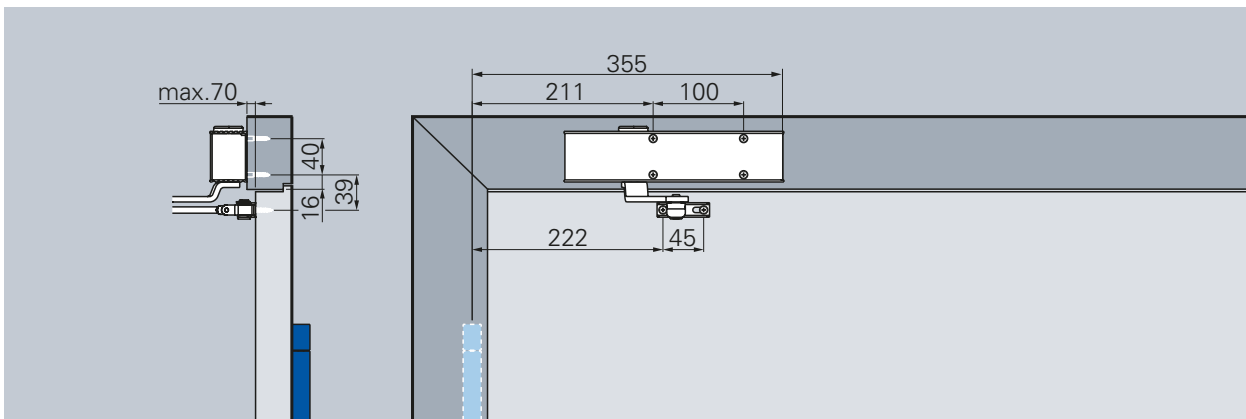
Delivery state: Size 3

Opposite hinge side

Figure DIN R door, DIN L mirrored



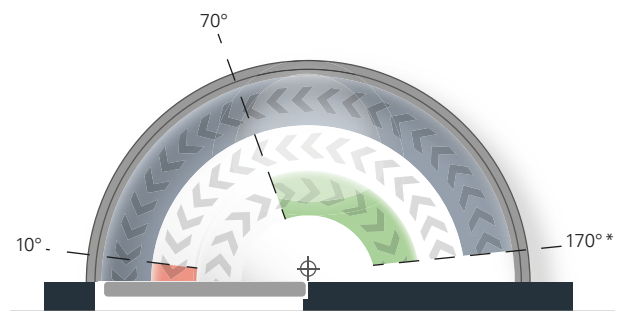
Frame installation, opposite hinge side (ECO TS-50, with mounting plate, DIN hole group)



Frame installation, opposite hinge side (ECO TS-50, direct installation, without mounting plate)

- **Closing speed**
 continuously adjustable closing speed from 170°* – 0°.
- **Latching speed**
 Increases the closing speed and thus the closing force for safe closing of the door, e.g. to overcome door seals, latches and air pressure. Continuously adjustable, active from 10° – 0°.
- **Back-check (constant)**
 Reduces the opening speed from 70° and thus prevents the door from slamming. Constant back-check.

Closing force diagram ECO Newton TS-50, opposite hinge side



*Varies according to door thickness and hinge type.

Opening range must be limited by a door stop!

ECO Schulte GmbH & Co. KG

Iserlohner Landstraße 89

D-58706 Menden

Telephone +49 2373 9276 - 0

Telefax +49 2373 9276 - 40

info@eco-schulte.de

www.eco-schulte.de

Our compendium represents a compilation of all products from our range of services. These are subject to different delivery classes. Special variants included are often manufactured to customer specifications and sometimes require longer delivery times and minimum purchase quantities. Further advise can be given by your contact person.

■ SYSTEM TECHNOLOGY FOR THE DOOR

